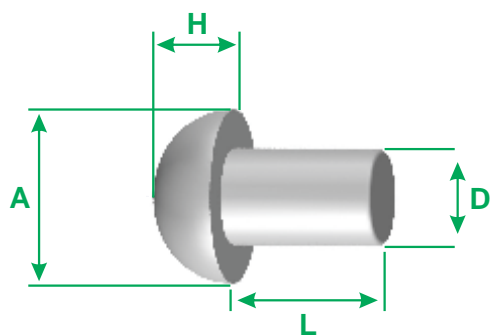
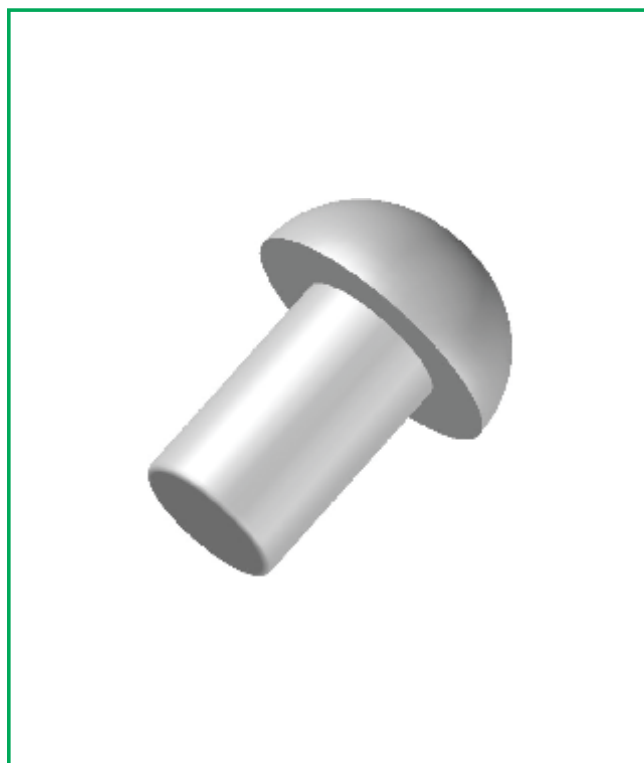
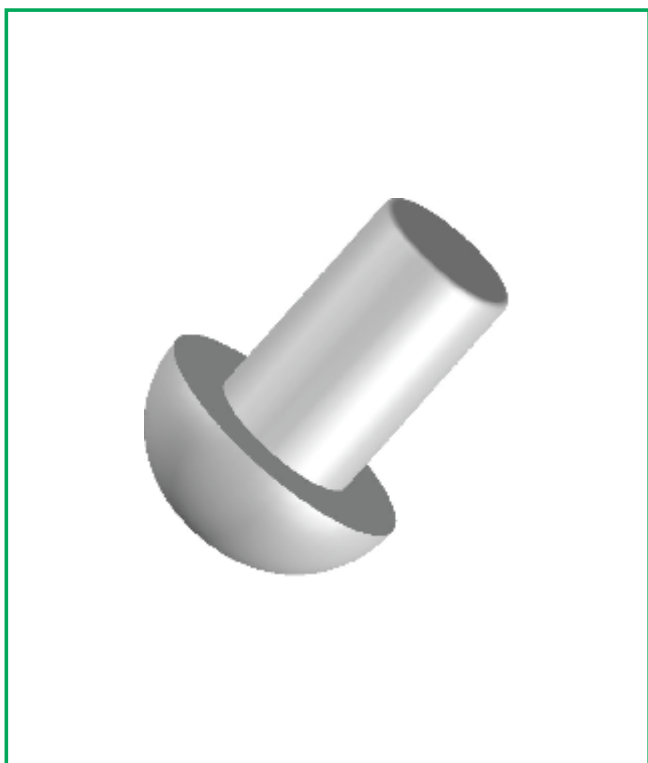


REBITES - MODELOS



LEGENDA

- A - DIAMETRO DA CABEÇA
- D - DIAMETRO DO CORPO
- L - COMPRIMENTO DO CORPO
- H - ALTURA DA CABEÇA

OS REBITES SÃO PRODUZIDOS EM FERRO MACIÇO.
É UM CILINDRO DE METAL COM CABEÇA DESTINADO A
UNIR PERMANENTEMENTE A ABRAÇADEIRA E A MOLA.

CAIXA COM 2 KILOS

REBITE MACIÇO DE FERRO

CABEÇA REDONDA

CÓDIGO	REFERÊNCIA	PREÇO	BITOLA	DIAM. (D)	COMP. (L)	CX 1KG
10150	RBT 1/8 X 1/4	38,00	1/8 X 1/4	1/8	1/4	2.000
10160	RBT 3/16 X 1/2	38,00	3/16 X 1/2	3/16	1/2	380
10161	RBT 3/16 X 5/8	38,00	3/16 X 5/8	3/16	5/8	340
10170	RBT 5/16 X 1/2	38,00	5/16 X 1/2	5/16	1/2	102
10171	RBT 5/16 X 5/8	38,00	5/16 X 5/8	5/16	5/8	88
10172	RBT 5/16 X 3/4	38,00	5/16 X 3/4	5/16	3/4	75
10173	RBT 5/16 X 7/8	38,00	5/16 X 7/8	5/16	7/8	73
10174	RBT 5/16 X 1"	38,00	5/16 X 1"	5/16	1"	69
10180	RBT 3/8 X 5/8	38,00	3/8 X 5/8	3/8	5/8	54
10181	RBT 3/8 X 3/4	38,00	3/8 X 3/4	3/8	3/4	48
10182	RBT 3/8 X 7/8	38,00	3/8 X 7/8	3/8	7/8	47
10183	RBT 3/8 X 1"	38,00	3/8 X 1"	3/8	1"	46
10184	RBT 3/8 X 1.1/4	38,00	3/8 X 1.1/4	3/8	1.1/4	39
10195	RBT 7/16 X 7/8	38,00	7/16 X 7/8	7/16	7/8	34
10196	RBT 7/16 X 1"	38,00	7/16 X 1"	7/16	1"	33
10190	RBT 1/2 X 1"	38,00	1/2 X 1"	1/2	1"	23
10191	RBT 1/2 X 1.1/4	38,00	1/2 X 1.1/4	1/2	1.1/4	20
10192	RBT 1/2 X 1.1/2	38,00	1/2 X 1.1/2	1/2	1.1/2	18

OBS.: CAIXA COM 1,00 KILO.

TABELA DE CONVERSÃO

POLEGADA	MILÍMETRO
1/16	1,58
1/8	3,17
3/16	4,76
1/4	6,35
5/16	7,93
3/8	9,52
7/16	11,11
1/2	12,70
9/16	14,28
5/8	15,87
11/16	17,46
3/4	19,05
13/16	20,63
7/8	22,22
15/16	23,81
1"	25,40
1.1/16	26,98
1.1/8	28,57
1.3/16	30,16
1.1/4	31,75
1.5/16	33,33
1.3/8	34,92
1.7/16	36,51
1.1/2	38,10
1.9/16	39,68
1.5/8	41,27
1.11/16	42,86
1.3/4	44,45
1.13/16	46,03
1.7/8	47,62
1.15/16	49,21
2"	50,80

POLEGADA	MILÍMETRO
2.1/16	52,38
2.1/8	53,97
2.3/16	55,56
2.1/4	57,15
2.5/16	58,73
2.3/8	60,32
2.7/16	61,91
2.1/2	63,50
2.9/16	65,08
2.5/8	66,67
2.11/16	68,26
2.3/4	69,85
2.13/16	71,43
2.7/8	73,02
2.15/16	74,61
3"	76,20
3.1/16	77,78
3.1/8	79,37
3.3/16	80,96
3.1/4	82,55
3.5/16	84,13
3.3/8	85,72
3.7/16	87,31
3.1/2	88,90
3.9/16	90,48
3.5/8	92,07
3.11/16	93,66
3.3/4	95,25
3.13/16	96,83
3.7/8	98,42
3.15/16	99,41
4"	101,60